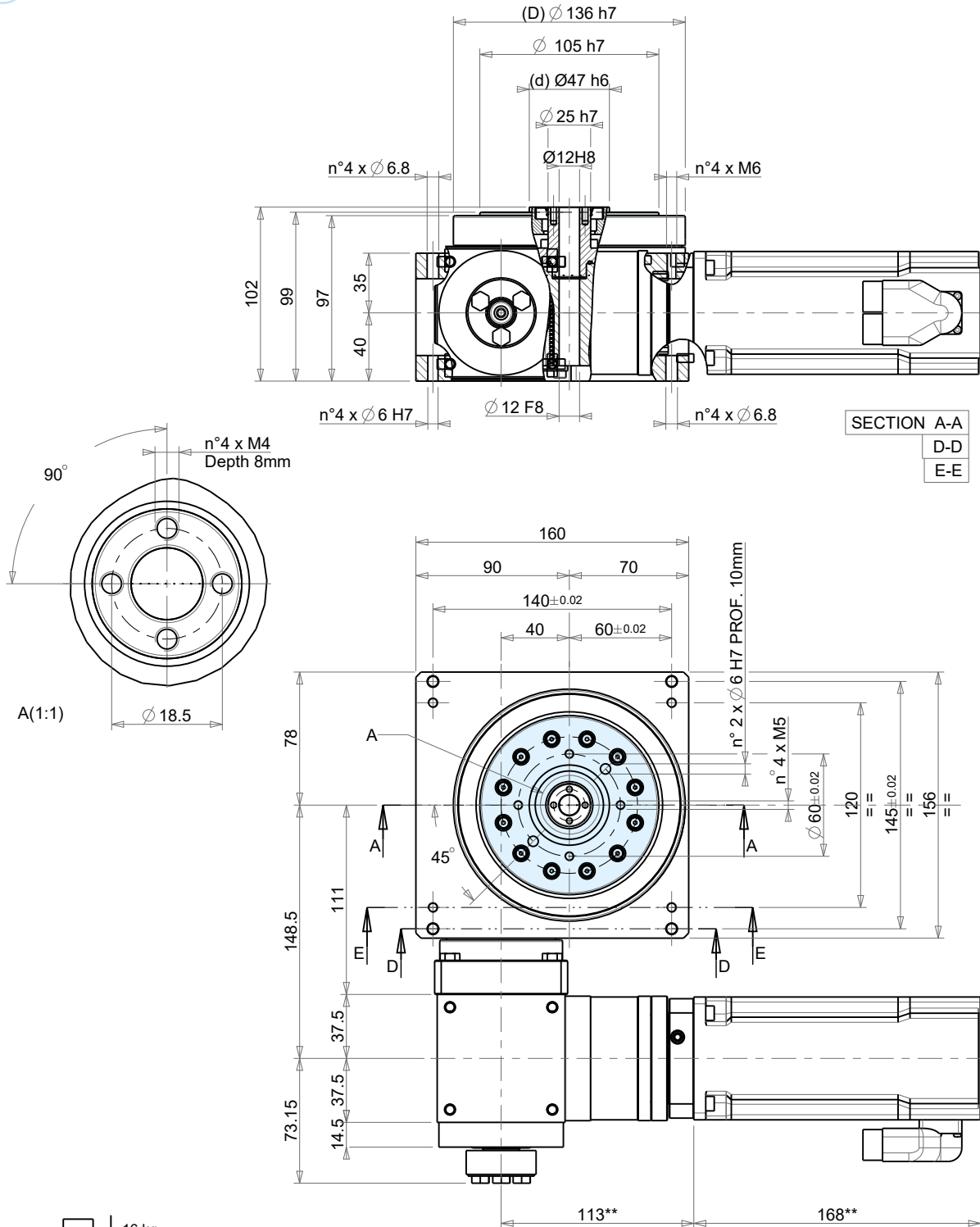
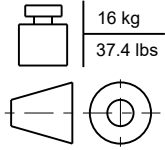




Rotating element • Elemento rotante • Drehelement • Élément tournant • Elemento de giro • 出旋轉元件



SECTION A-A
D-D
E-E



** = Dimension with servomotor Beckhoff - AM8531xx00

TRF 80	Reference Riferimento Bezug Référence Referencia 参考	Concentricity Concentricità Konzentrität Concentricité Concentricidad 同心度	Planarity Planarità Planheit Planéité Planaridad 平面度	Accuracy Precisione Teilgenauigkeit Précision Precisión 精度 Standard	Threaded holes position Posizione fori filettati Löcherposition Position des trou taraudé Posición orificios roscados 螺紋孔位置精度	Tolerance in compliance with Tolleranze secondo Toleranzen gemäß Tolérances selon Tolerancias con arreglo a 公差符合
		d	± 0.01 mm			
	D		± 0.01 mm			
	Rp			± 0.029°		



Unit	TR 80-12
Total ratio	60 :1
Max. rotary diameter	600 mm
Max. output torque	53 N m
Max. Application Inertia	3.60 kg m ²
Internal inertia @ motor shaft	0.000657 kg m ²
t _{360°}	1.39 s
Max motor speed	6 000 min ⁻¹
Max acceleration	14.71 rad/s ²
Rated motor torque (max)	1.33 N m
Gearbox code	ATB-FC075 1:5 APEX
Servo code	AM8531-xD00 Beckhoff

